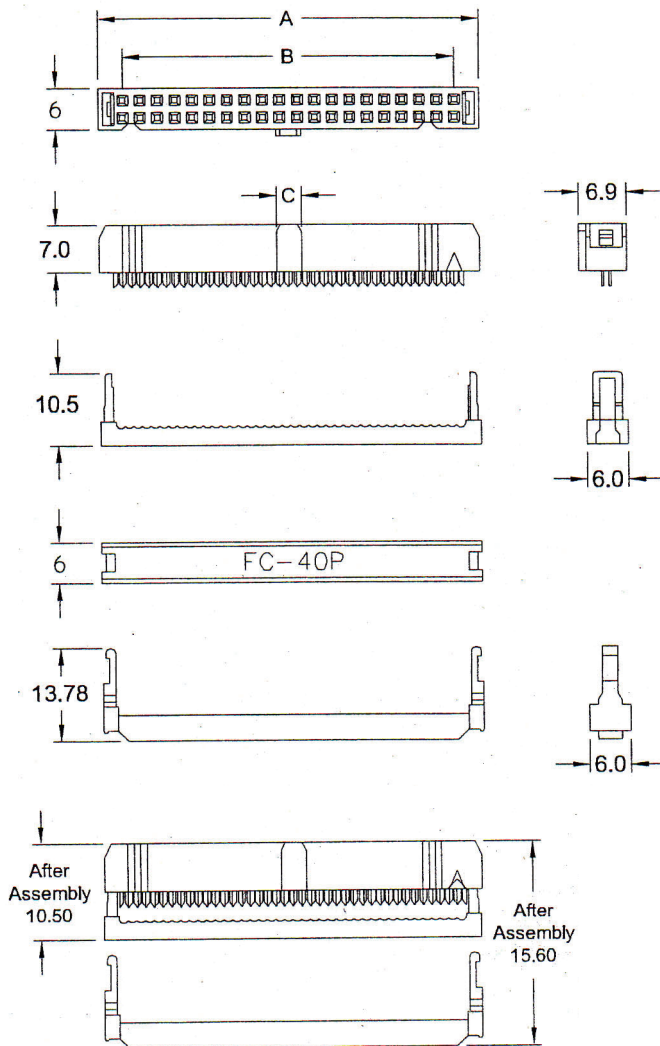


## 2.54MM(0.100") I.D.C. SOCKETS UL APPROVED



### SPECIFICATIONS

**Current Rating:** 1.0 Amp  
**Dielectric Withstanding:** 500V AC  
**Insulation Resistance:** 3000MΩ Min  
**Contact Resistance:** 30mΩ Max.  
**Operating Temperature:** -40°C to +105°C

### MATERIALS

**Insulation Material:** P.B.T, UL 94V-0  
**Contact Material:** Phosphor Bronze or Brass  
**All materials must be RoHS compliant.**

No. of Contacts	Dimensions(mm)		
	A	B	C
06	12.30	5.08	3.80
08	14.84	7.62	1.80
10	17.38	10.16	3.80
12	19.92	12.70	3.80
14	22.46	15.24	3.80
16	25.00	17.78	3.80
18	37.54	20.32	3.80
20	30.08	22.86	3.80
24	35.16	27.94	3.80
26	37.70	30.48	3.80
30	42.78	35.56	3.80
34	47.86	40.64	3.80
36	50.40	43.18	3.80
40	55.48	48.26	3.80
50	68.18	60.96	3.80
60	80.88	73.66	3.80
64	85.93	78.74	3.80

### ORDERING INFORMATION:

P/N 254  $\frac{X}{1}$  -  $\frac{X}{2}$   $\frac{X}{3}$   $\frac{X}{4}$

#### 1. CONTACT MATERIAL & SR OPTION:

##### WITH BUMP (NOSE):

"DA" BRASS WITHOUT STRAIN RELIEF  
 "DB" PHOSPHOR BRONZE W/O STRAIN RELIEF  
 "DC" BRASS WITH STRAIN RELIEF  
 "DD" PHOSPHOR BRONZE WITH STRAIN RELIEF  
 "DE" STRAIN RELIEF

##### WITHOUT BUMP (NOSE):

"WA" BRASS WITHOUT STRAIN RELIEF  
 "WB" PHOSPHOR BRONZE W/O STRAIN RELIEF  
 "WC" BRASS WITH STRAIN RELIEF  
 "WD" PHOSPHOR BRONZE WITH STRAIN RELIEF

#### 2. NO. OF CONTACTS:

006, 008, 010, 012, 014, 016, 020, 024, 026, 030, 034, 040, 050, 060, 064

#### 3. CONTACT FINISH:

"S" SELECTIVE GOLD PLATED  
 "X" FOR STRAIN RELIEF (DE)

#### 4. INSULATOR COLOR:

"B" BLACK (STANDARD)  
 "A" GRAY (OPTIONAL)